

SVTL™

Shared Virtual Tape Library Plugin

FAST FACTS ABOUT:

NetVault: Backup

- *Advanced SAN/NAS Support*
- *Comprehensive NDMP Support*
- *Command Line Interface (CLI)*
- *Comprehensive Media Management*
- *Direct Access Restore*
- *Disaster Recovery*
- *Disk-to-Tape Backup*
- *Dynamic Device Sharing*
- *Event Notification*
- *Extensive Platform Support*
- *GbE Device Support*
- *High Performance Data Movers*
- *Media Data Copy*
- *Network Compression*
- *Automated Load Balancing*
- *Open File Protection*

NetVault: Backup's Shared Virtual Tape Library (SVTL) Plugin is the industry's first integrated LAN-free disk-based backup solution. Created for SAN and NAS environments, SVTL builds upon NetVault: Backup's existing Virtual Tape Library (VTL) by letting administrators create and share VTL's with multiple NetVault: Backup servers for higher performance disk-to-disk (D2D) backup and restores. SVTL allows an administrator to create a virtual library and share it with multiple NetVault: Backup machines as if it were a conventional SAN attached tape library. Standard VTLs force all data transfers to pass through one node, creating bottlenecks which impact performance when several client machines need the VTL for backup or restore operations. SVTL further improves performance by using Raw Device Data Movers for read and write operations. SVTL eliminates the preallocation requirements of VTL to provide quick virtual library initialization.

KEY BENEFITS

Improved Business Continuity

Disk-based backup provides rapid online restores that help mission-critical servers and database applications get back up and running faster than traditional tape backup. Restores are faster because backup data can be easily recovered directly from either a virtual or physical library, depending on media availability. Unlike competitive VTL solutions, which direct restores through one node, SVTL allows access to multiple nodes. If a node is down or not available, SVTL offers alternate client restore with direct access from disk. Alternate Client Restore directly from disk without using the LAN is key to business continuity, and helps ensure improved regulatory compliance with legislature such as Sarbanes-Oxley, Europe's Data Protection Act and Japan's HPB 517.

Lower Total Cost of Ownership

A shorter backup window minimizes the performance impact on mission critical applications, enhances overall operational efficiency and increases the time available for production jobs. SVTL reduces hardware costs by minimizing the impact of frequent stop/starts on tape drives which wear drives and stress the tape media to create potential errors. Simultaneous backups from multiple data streams further enhance administrative productivity while reducing the learning curve since SVTL operates just like a physical tape device. Typically, a center must

buy multiple disk units and then attach each disk unit to a distributed resource. SVTL uses a single centralized disk unit which improves SVTL utilization and results in major savings in free space requirement, management time and energy consumption.

MAJOR FEATURES

- Virtual library can be shared by multiple NetVault: Backup machines
- Data transfers pass through multiple nodes, thus eliminating bottlenecks
- Utilizes high speed data movers
- Direct restore capability without restaging to disk
- Backup scheduling operation imitates real tape library
- Fully integrates with existing real tape library resource management
- Supports Full, Incremental, and Differential backups
- Flexible design, complete control over number of drives, slots, and tape media size
- Improved cost performance ratios when compared to tape alone
- Change size 'on the fly'

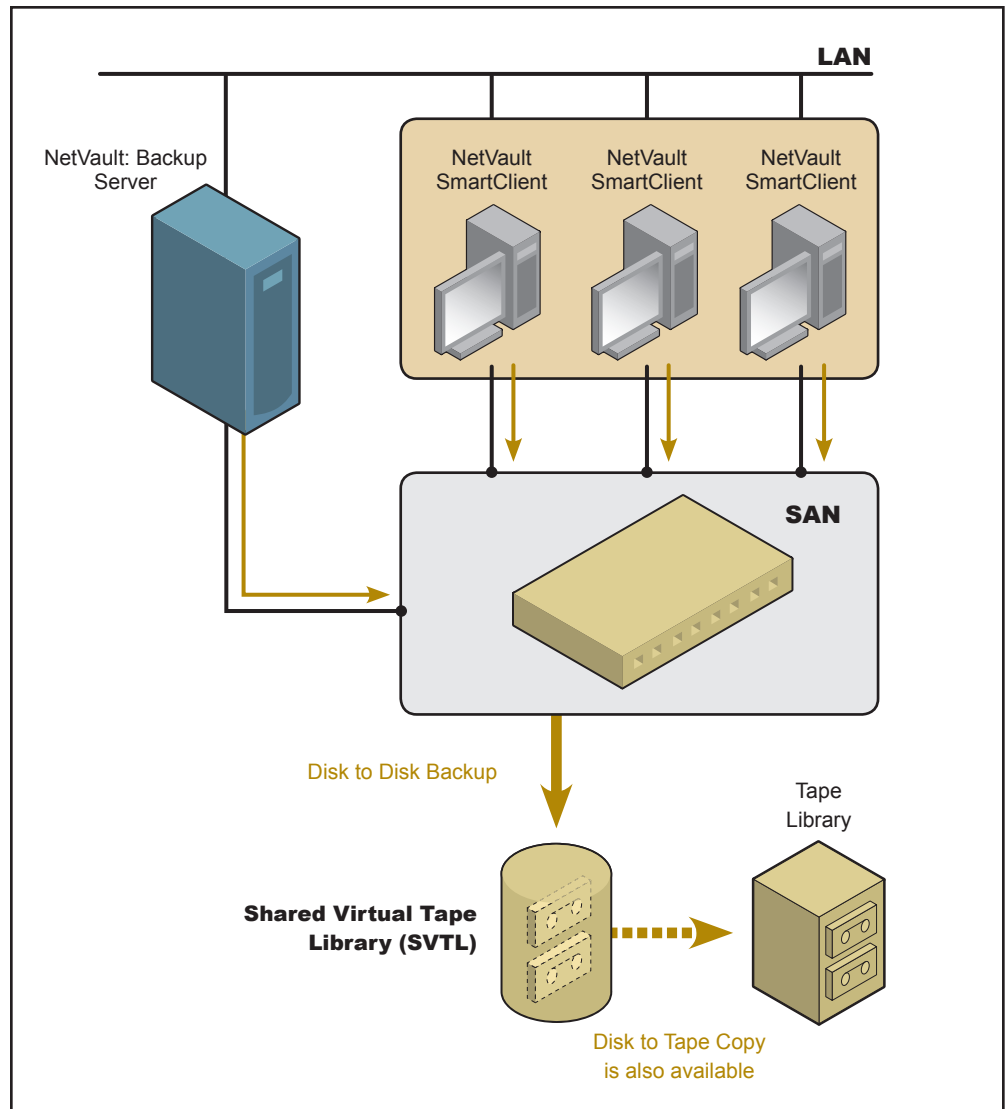
SYSTEM REQUIREMENTS

SVTL SUPPORTED PLATFORMS:

Linux
Windows
Solaris (SPARC)

Specifications and System Requirements subject to change without notice.

For updated information, please visit, www.bakbone.com/products



NetVault: Backup

From the experts in open systems data protection, BakBone Software's NetVault: Backup delivers enhanced data protection and enterprise-class functionality that scales to meet the demands of any sized environment. NetVault: Backup's flexible, modular architecture delivers proven reliability and high performance, with a unique combination of features designed to meet current and future data protection needs. Whether you're managing a few servers or a complex, multi-site networked storage environment, there is a NetVault: Backup package designed to fit your needs.

About BakBone

BakBone Software (PK:BKBO) is a leading global data protection provider that develops and distributes data backup, restore, and disaster recovery software for network storage and open-systems environments worldwide. BakBone delivers scalable solutions that address the complex demands of large enterprise environments, as well as small and medium-sized businesses. Founded in 2000, BakBone products are used by Fortune 1000 corporations and domestic and international government entities. Distributed through a select global network of OEM partners, resellers and solution providers, interested companies can find more information about BakBone's products and services at www.bakbone.com or email info@bakbone.com.

BakBone®, BakBone Software®, NetVault® Integrated Data Protection™, Scheduling Manager™, Control Manager™, Reporting Manager™, Policy Manager™, Security Manager™, Application Plugin Module™, APM™ and the BakBone logo® are all trademarks or registered trademarks of BakBone Software, Inc., in the United States and/or in other countries. All other brands, products or service names are or may be trademarks, registered trademarks or service marks of, and used to identify, products or services of their respective owners.

www.bakbone.com



BakBone Global Headquarters
9540 Towne Centre Drive, Suite 100
San Diego, CA 92121
Toll Free Phone: 877-939-2663
Phone: 858-450-9009
Fax: 858-450-9929
Email: sales@bakbone.com

Asia Pacific Headquarters
Shinjuku Dai-ichi-Seimei Bldg.11th Floor
2-7-1 Nishi Shinjuku, Shinjuku-ku
Tokyo, Japan 163-0711
Phone: 81-3-5908-3511
Fax: 81-3-5908-3512
Email: sales@bakbone.co.jp

Europe Headquarters
100 Longwater Avenue
Green Park
Reading
RG2 6GP
United Kingdom
Phone: 44 (0)1189-224-800
Fax: 44 (0)1189-224-899
Email: sales_europe@bakbone.com